

ООО «ТИ-СИСТЕМС» ИНЖИНИРИНГ И ПОСТАВКА ТЕХНОЛОГИЧЕСКОГО ОБОРУДОВАНИЯ  
Интернет: [www.tisys.ru](http://www.tisys.ru) [www.tisys.kz](http://www.tisys.kz) [www.tisys.by](http://www.tisys.by) [www.tesec.ru](http://www.tesec.ru) [www.ти-системс.рф](http://www.ти-системс.рф)  
Телефоны: +7 (495) 7774788, 7489626, (925) 5007155, 54, 65  
Эл. почта: [info@tisys.ru](mailto:info@tisys.ru) [info@tisys.kz](mailto:info@tisys.kz) [info@tisys.by](mailto:info@tisys.by)



四川良川机械设备有限公司

SI CHUAN LIANGCHUAN MECHANICAL EQUIPMRNT CO.,LTD

## SI CHUAN LIANGCHUAN MECHANICAL EQUIPMENT CO.,LTD

**Professional cryogenic valve manufacturer in China**



ООО «ТИ-СИСТЕМС» ИНЖИНИРИНГ И ПОСТАВКА ТЕХНОЛОГИЧЕСКОГО ОБОРУДОВАНИЯ  
Интернет: [www.tisys.ru](http://www.tisys.ru) [www.tisys.kz](http://www.tisys.kz) [www.tisys.by](http://www.tisys.by) [www.tesec.ru](http://www.tesec.ru) [www.ти-системс.рф](http://www.ти-системс.рф)  
Телефоны: +7 (495) 7774788, 7489626, (925) 5007155, 54, 65  
Эл. почта: [info@tisys.ru](mailto:info@tisys.ru) [info@tisys.kz](mailto:info@tisys.kz) [info@tisys.by](mailto:info@tisys.by)



四川良川机械设备有限公司

SI CHUAN LIANGCHUAN MECHANICAL EQUIPMRNT CO.,LTD

# OUR COMPANY





## Introduction



四川良川机械设备有限公司

SI CHUAN LIANGCHUAN MECHANICAL EQUIPMRNT CO.,LTD

## Si Chuan Liangchuan Mechanical Equipment Co., Ltd

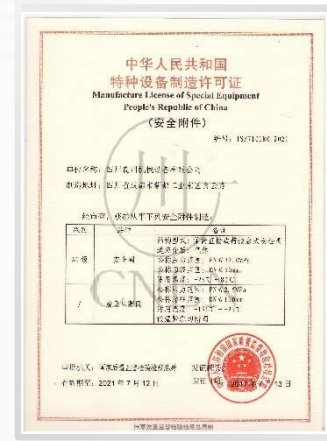
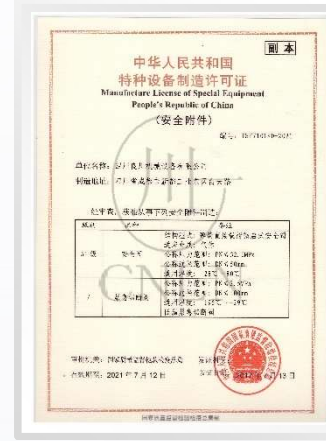
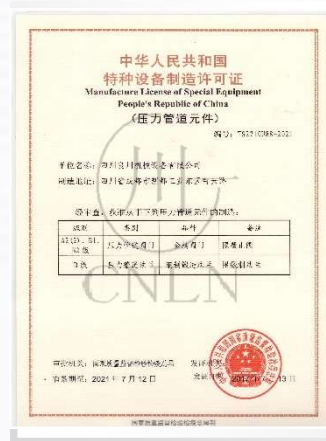
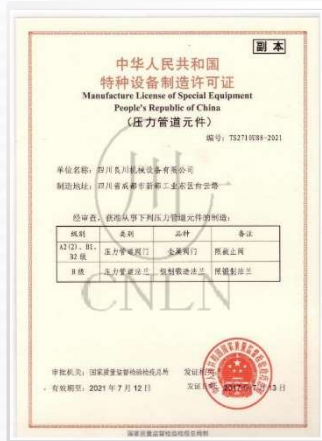
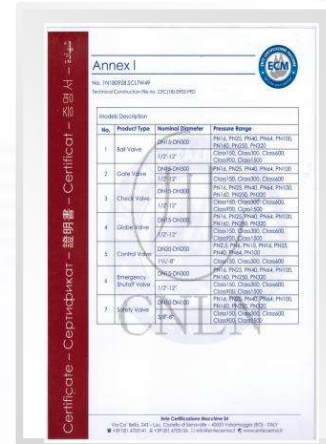


Si Chuan Liangchuan Mechanical Equipment Co.,Ltd is a high-tech company specializing in the production of many kinds of valves, especially cryogenic valves.And the main products are globe valves,check valves,safety valves,ball valves, etc.

Our company has many national technology patents. And our company has established and improved the special equipment manufacturing management system and ISO 9001 international quality system and passed the certifications.In 2015,we have passed the certification of High Technology Enterprise. Liangchuan has established a strict and complete test organization, in order to ensure that the product quality is in line with relevant national standards, industry standards and corporation



# Qualification



With the spirit of professionalism, concentration and concentration, with excellent product quality and good service system, Liangchuan people will join hands with you to create brilliant!





## Part of partners



四川良川机械设备有限公司

SI CHUAN LIANGCHUAN MECHANICAL EQUIPMRNT CO.,LTD



中国石油



国内标准 国际标准 加氢站现状  
产业发展规划 加氢站建设申报流程(示例)





## Buyer's Show



四川良川机械设备有限公司

SI CHUAN LIANGCHUAN MECHANICAL EQUIPMRNT CO.,LTD



ООО «ТИ-СИСТЕМС» ИНЖИНИРИНГ И ПОСТАВКА ТЕХНОЛОГИЧЕСКОГО ОБОРУДОВАНИЯ  
Интернет: [www.tisys.ru](http://www.tisys.ru) [www.tisys.kz](http://www.tisys.kz) [www.tisys.by](http://www.tisys.by) [www.tesec.ru](http://www.tesec.ru) [www.ти-системс.рф](http://www.ти-системс.рф)  
Телефоны: +7 (495) 7774788, 7489626, (925) 5007155, 54, 65  
Эл. почта: [info@tisys.ru](mailto:info@tisys.ru) [info@tisys.kz](mailto:info@tisys.kz) [info@tisys.by](mailto:info@tisys.by)



四川良川机械设备有限公司

SI CHUAN LIANGCHUAN MECHANICAL EQUIPMRNT CO.,LTD

# OUR PRODUCTS



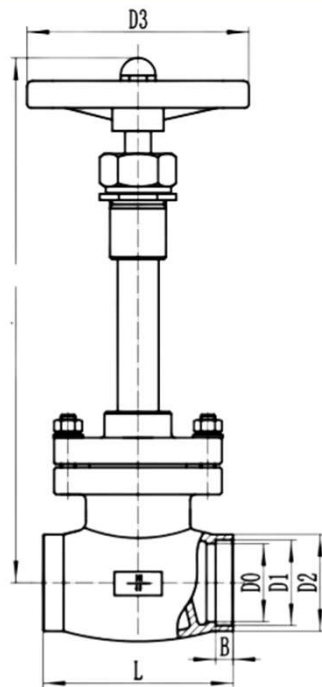


## Globe valve- CDJ61F



四川良川机械设备有限公司

SI CHUAN LIANGCHUAN MECHANICAL EQUIPMRNT CO.,LTD

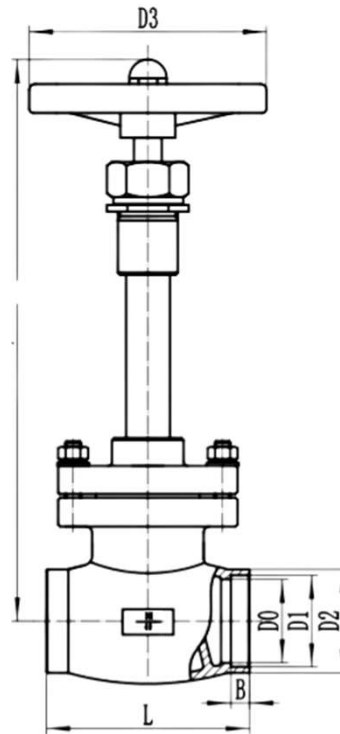


Body: CF8 CF3  
 Bonnet:SS304/316  
 Stem:SS304/316  
 Packing: PTFE  
 Disc Seal: PCTFE  
 Nominal diameter: DN10-150mm  
 Nominal pressure: PN4.0Mpa  
 Suitable temperature:-196℃~+80℃  
 Applicable medium:LNG、LO2、LN2、LAr

产品代号	尺寸								
	DN	H开	H关	L	B	D0	D1	D2	D3
C325DJ10	10	255	245	61	6	12	15	22	75
C325DJ15	15	255	245	61	6	15	19	26	75
C325DJ20	20	302	289	81	6	23	26	34	100
C325DJ25	25	302	289	81	6	26	33	39	100
C325DJ32	32	355	340	102	9	35	39	46	119
C325DJ40	40	355	340	102	10	42	46	52	119
C325DJ50	50	391	370	127	10	54	58	66	139
C325DJ65	65	435	413	150	10	68	77	85	135
C325DJ80	80	486	516	182	10	84	89	100	196
C325DJ100	100	564	531	200	15	104	109	121	213
C325DJ125	125	663	621	280	15	125	133	147	292
C325DJ150	150	693	620	405	15	151	160	195	400



Globe valve- CDJ61F



Body: CF8 CF3  
 Bonnet: SS304/316  
 Stem: SS304/316  
 Packing: PTFE  
 Disc Seal: PCTFE  
 Nominal diameter: DN15-50mm  
 Nominal pressure: PN5.0Mpa  
 Suitable temperature:  $-196^{\circ}\text{C} \sim +80^{\circ}\text{C}$   
 Applicable medium: LNG、LO<sub>2</sub>、LN<sub>2</sub>、LAr

产品代号	尺寸						
	DN	H开	H关	L	B	D1	D2
C325DJ15	15	255	245	75	10	22.2	28
C325DJ20	20	302	289	104	13	27.8	44
C325DJ25	25	302	289	104	13	34.3	44
C325DJ40	40	355	340	128	13	49	55
C325DJ50	50	391	370	158	16	61	74

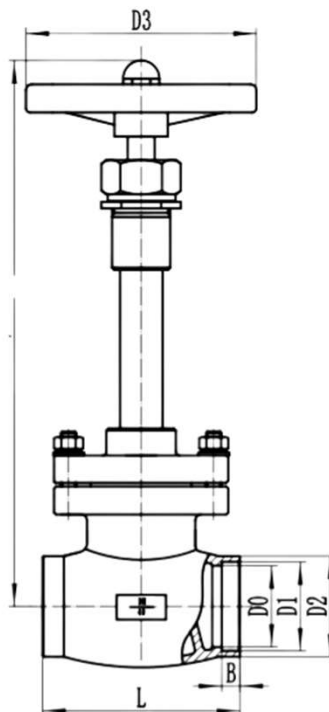


## Globe valve-CDJ61F



四川良川机械设备有限公司

SI CHUAN LIANGCHUAN MECHANICAL EQUIPMRNT CO.,LTD



Body: CF8 CF3  
 Bonnet: SS304/316  
 Stem: SS304/316  
 Packing: PTFE  
 Disc Seal: PCTFE  
 Nominal diameter: DN10-150mm  
 Nominal pressure: PN4.0Mpa  
 Suitable temperature:  $-196^{\circ}\text{C} \sim +80^{\circ}\text{C}$   
 Applicable medium: LNG、LO<sub>2</sub>、LN<sub>2</sub>、LAr

产品代号	尺寸								
	DN	H开	H关	L	B	D0	D1	D2	D3
C325DJ8	8	255	245	61	6	6	11	22	75
C325DJ10	10	255	245	61	6	12	15	22	75
C325DJ15	15	255	245	61	6	15	19	26	75
C325DJ20	20	302	289	81	6	23	26	34	100
C325DJ25	25	302	289	81	6	26	33	39	100
C325DJ32	32	355	340	102	9	35	39	46	119
C325DJ40	40	355	340	102	10	42	46	52	119
C325DJ50	50	391	370	127	10	54	58	66	139
C325DJ65	65	435	413	150	10	68	77	85	135
C325DJ80	80	486	516	182	10	84	89	100	196
C325DJ100	100	564	531	200	15	104	109	121	213
C325DJ125	125	663	621	280	15	125	133	147	292
C325DJ150	150	693	620	405	15	151	160	195	400

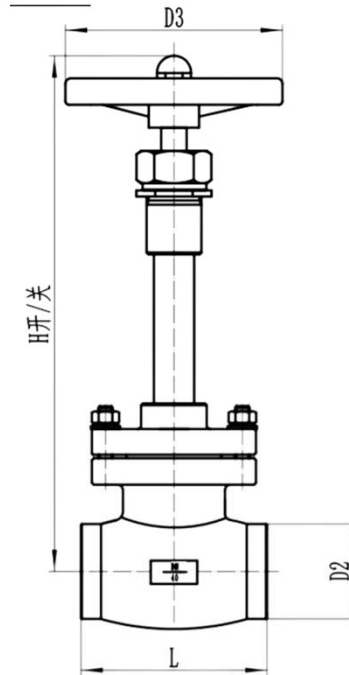


## Globe valve-BW Type



四川良川机械设备有限公司

SI CHUAN LIANGCHUAN MECHANICAL EQUIPMRNT CO.,LTD



Body: CF8 CF3

Bonnet: SS304/316

Stem: SS304/316

Packing: PTFE

Disc Seal: PCTFE

Nominal diameter: DN10-100mm

Nominal pressure: PN4.0Mpa

Suitable temperature:  $-196^{\circ}\text{C} \sim +80^{\circ}\text{C}$

Applicable medium: LNG、LO2、LN2、LAr

产品代号	尺寸				
	DN	H开	H关	L	D2
C325DJ10	10	255	245	76	14
C325DJ15	15	255	245	90	18
C325DJ20	20	302	289	104	25
C325DJ25	25	302	289	104	32
C325DJ32	32	355	340	116	38
C325DJ40	40	355	340	128	45
C325DJ50	50	391	370	158	57
C325DJ65	65	435	413	188	76
C325DJ80	80	486	516	212	89
C325DJ100	100	564	531	260	108

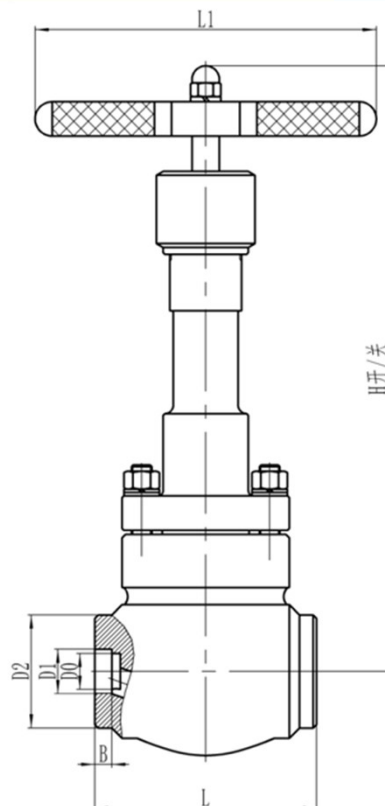


## Globe Valve- High pressure



四川良川机械设备有限公司

SI CHUAN LIANGCHUAN MECHANICAL EQUIPMRNT CO.,LTD



Body: CF8 CF3

Bonnet:SS304/316

Stem:SS304/316

Packing: PTFE

Disc Seal: PCTFE

Nominal diameter: DN10-25mm

Nominal pressure: PN32.0Mpa

Suitable temperature: -196℃~+80℃

Applicable medium:LNG、LO2、LN2、LAr

产品代号	尺寸								
	DN	H开	H关	L	B	D0	D1	D2	L1
C325DJ10	10	255	245	114	10	13	18	42	75
C325DJ15	15	255	245	114	10	17	22	42	75
C325DJ20	20	302	289	130	10	21	26	66	100
C325DJ25	25	302	289	130	10	28	33	66	100

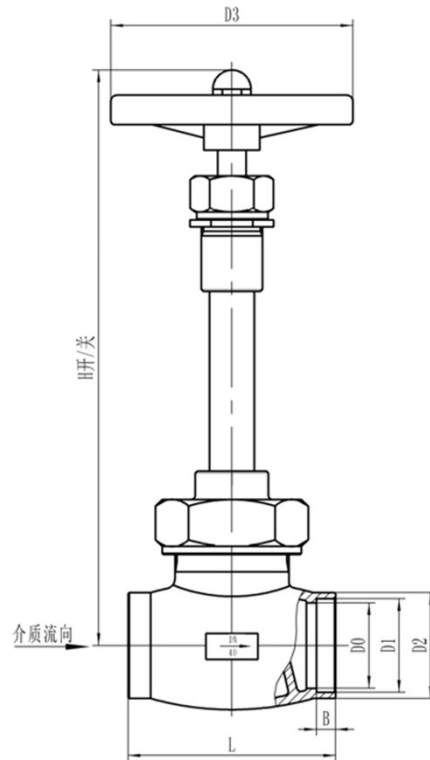


Globe valve-O<sub>2</sub>,N<sub>2</sub>,Ar<sub>2</sub>



四川良川机械设备有限公司

SI CHUAN LIANGCHUAN MECHANICAL EQUIPMRNT CO.,LTD



Body: CF8 CF3  
 Bonnet: SS304/316  
 Stem: SS304/316  
 Packing: PTFE  
 Disc Seal: PCTFE  
 Nominal diameter: DN10-40mm  
 Nominal pressure: PN4.0Mpa  
 Suitable temperature: -196°C~+80°C  
 Applicable medium: LNG、LO<sub>2</sub>、LN<sub>2</sub>、LAr

产品代号	尺寸								
	DN	H开	H关	L	B	D0	D1	D2	D3
C328DJ10	10	250	240	61	6	12	15	22	75
C328DJ15	15	255	246	61	6	15	19	26	75
C328DJ20	20	293	283	81	6	23	26	34	100
C328DJ25	25	301	289	81	6	26	33	39	100
C328DJ32	32	349	334	102	9	35	39	46	119
C328DJ40	40	356	341	102	9	42	46	52	119

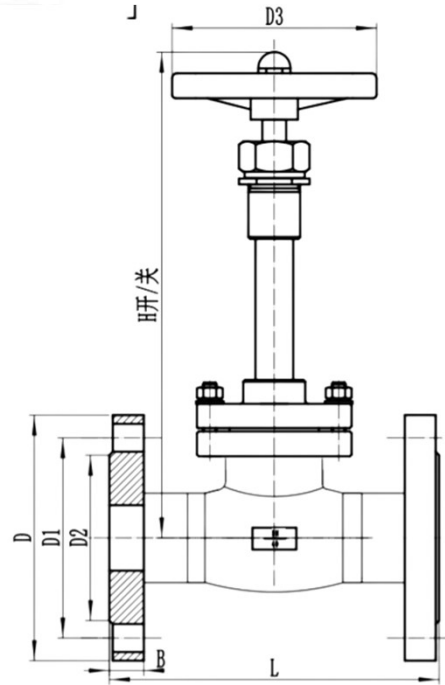


## Globe valve-Flange Type



四川良川机械设备有限公司

SI CHUAN LIANGCHUAN MECHANICAL EQUIPMRNT CO.,LTD



Body: CF8 CF3

Bonnet: SS304/316

Stem: SS304/316

Packing: PTFE

Disc Seal: PCTFE

Nominal diameter: DN10-150mm

Nominal pressure: PN4.0Mpa

Suitable temperature: -196°C ~ +80°C

Applicable medium: LNG、LO2、LN2、LAr

产品代号	尺寸								
	DN	H开	H关	L	B	z-φd	D	D1	D2
C325DJ10	10	255	245	130	14	4-14	90	60	40
C325DJ15	15	255	245	130	14	4-14	95	65	45
C325DJ20	20	302	289	150	14	4-14	105	75	55
C325DJ25	25	302	289	160	14	4-14	115	85	65
C325DJ32	32	355	340	180	16	4-18	135	100	78
C325DJ40	40	355	340	200	16	4-18	145	110	85
C325DJ50	50	391	370	230	16	4-18	160	125	100
C325DJ65	65	435	413	290	18	8-18	180	145	120
C325DJ80	80	486	516	310	20	8-18	195	160	135
C325DJ100	100	564	531	350	20	8-23	230	190	160
C325DJ125	125	663	621	400	28	8-25	270	220	188
C325DJ150	150	693	620	480	30	8-25	300	250	218

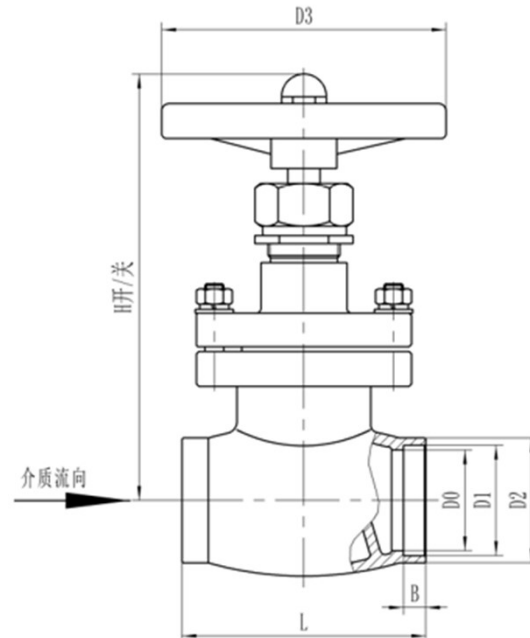


## Short stem Globe valve- CJ61F



四川良川机械设备有限公司

SI CHUAN LIANGCHUAN MECHANICAL EQUIPMRNT CO.,LTD



Body: CF8 CF3

Bonnet: SS304/316

Stem: SS304/316

Packing: PTFE

Disc Seal: PCTFE

Nominal diameter: DN10-40mm

Nominal pressure: PN1.6-6.4Mpa

Suitable temperature: -80°C~+80°C

Applicable medium: Gas

产品代号	尺寸								
	DN	H开	H关	L	B	D0	D1	D2	D3
C325J10	10	127	116	61	6	12	15	22	75
C325J15	15	127	116	61	6	15	19	26	75
C325J20	20	156	143	81	6	23	26	34	100
C325J25	25	156	143	81	6	26	33	39	100
C325J32	32	186	174	102	9	35	39	46	119
C325J40	40	186	174	102	9	42	46	52	119

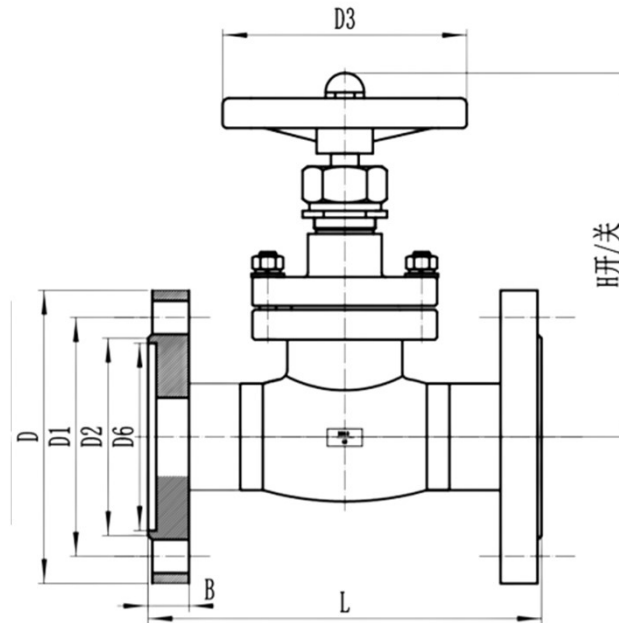


## Globe valve- Flange Type



四川良川机械设备有限公司

SI CHUAN LIANGCHUAN MECHANICAL EQUIPMRNT CO.,LTD



Body: CF8 CF3

Bonnet: SS304/316

Stem: SS304/316

Packing: PTFE

Disc Seal: PCTFE

Nominal diameter: DN10-100mm

Nominal pressure: PN1.6-6.4Mpa

Suitable temperature: -80°C~+80°C

Applicable medium: Gas

产品代号	尺寸										
	DN	H开	H关	L	B	z-φd	D	D1	D2	D6	D3
C206DA15	15	134	124	130	14	4-14	95	65	45	40	75
C206DA20	20	163	150	150	14	4-14	105	75	55	51	100
C206DA25	25	163	150	160	14	4-14	115	85	65	58	100
C206DA32	32	201	186	180	16	4-18	135	100	78	66	120
C206DA40	40	201	186	200	16	4-18	145	110	85	76	120
C206DA50	50	230	209	250	16	4-18	160	125	100	88	140
C206DA65	65	244	224	265	18	8-18	180	145	120	110	155
C206DA80	80	337	300	280	20	8-18	195	160	135	121	180
C206DA100	100	325	358	300	20	8-18	215	180	155	150	215



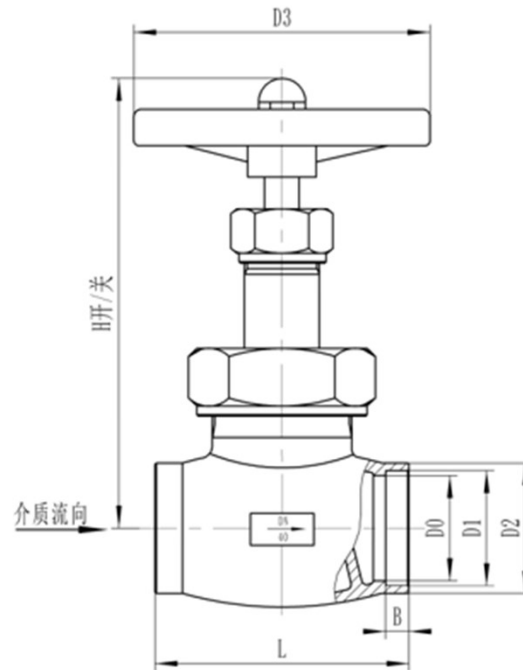


Globe valve-O<sub>2</sub>,N<sub>2</sub>,Ar<sub>2</sub>



四川良川机械设备有限公司

SI CHUAN LIANGCHUAN MECHANICAL EQUIPMRNT CO.,LTD



Body: CF8 CF3  
 Bonnet: SS304/316  
 Stem: SS304/316  
 Packing: PTFE  
 Disc Seal: PCTFE  
 Nominal diameter: DN10-40mm  
 Nominal pressure: PN1.6-6.4Mpa  
 Suitable temperature: -80°C~+80°C  
 Applicable medium: Gas

产品代号	尺寸								
	DN	H开	H关	L	B	D0	D1	D2	D3
C328J10	10	127	116	61	6	12	15	22	75
C328J15	15	127	116	61	6	15	19	26	75
C328J20	20	156	143	81	6	23	26	34	100
C328J25	25	156	143	81	6	26	33	39	100
C328J32	32	186	174	102	9	35	39	46	119
C328J40	40	186	174	102	9	42	46	52	119

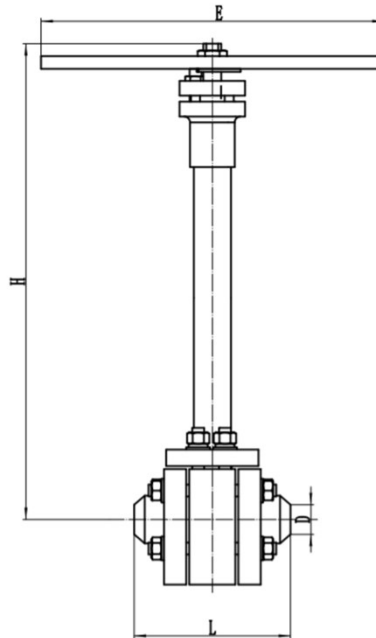


## Ball valve-BW Type-CDQ61F



四川良川机械设备有限公司

SI CHUAN LIANGCHUAN MECHANICAL EQUIPMRNT CO.,LTD



Body: CF8 CF3

Bonnet:SS304/316

Stem:SS304/316

Packing: PTFE

Disc Seal: PCTFE

Nominal diameter: DN10-300mm

Nominal pressure: PN4.0Mpa

Suitable temperature:-196℃~+80℃

Applicable medium:LNG、LO2、LN2、LAr

SIZE INCH	DIMENSION (mm)			
	D	H	L	E
1/2	18	193	105	180
3/4	25	193	105	180
1	32	218	127	200
1 1/2	45	246	155	360
2	57	336	180	360
3	90	390	205	420
4	115	430	230	450
6	166	480	305	520

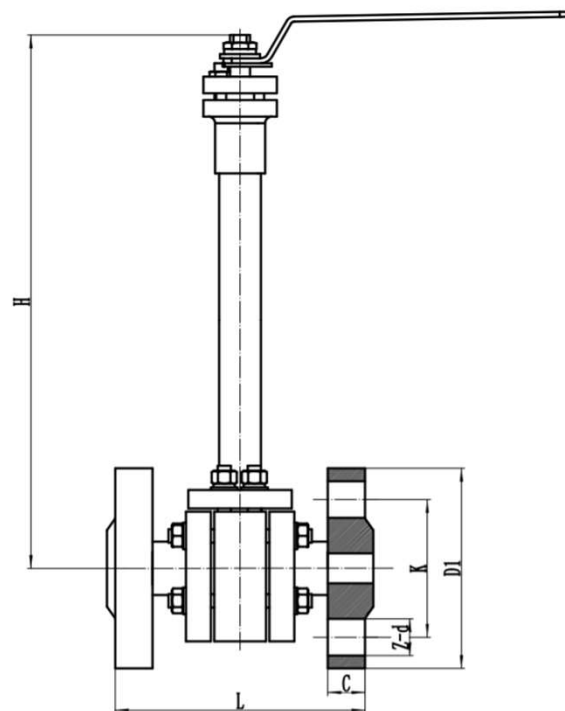


## Ball valve-Flange Type-CDQ41F



四川良川机械设备有限公司

SI CHUAN LIANGCHUAN MECHANICAL EQUIPMRNT CO.,LTD



Body: CF8 CF3

Bonnet:SS304/316

Stem:SS304/316

Packing: PTFE

Disc Seal: PCTFE

Nominal diameter: DN10-50mm

Nominal pressure: PN1.6-6.4Mpa

Suitable temperature:-196℃~+80℃

Applicable medium:LNG、L02、LN2、LAr

SIZE	DIMENSION (mm)					
INCH	D1	K	Z-d	C	H	L
DN15	95	66.5	4-15	13	193	140
DN20	117	82.5	4-19	14	193	152
DN25	124	89	4-19	16	218	165
DN50	165	127	8-19	21	336	216

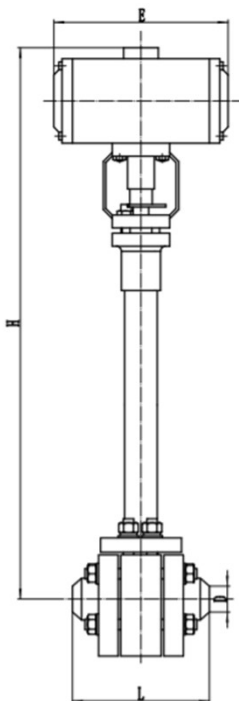


## Ball valve-Pneumatic valve



四川良川机械设备有限公司

SI CHUAN LIANGCHUAN MECHANICAL EQUIPMRNT CO.,LTD



Body: CF8 CF3

Bonnet:SS304/316

Stem:SS304/316

Packing: PTFE

Disc Seal: PCTFE

Nominal diameter: DN10-50mm

Nominal pressure: PN1.6-6.4Mpa

Suitable temperature:-196℃~+80℃

Applicable medium:LNG、LO2、LN2、LAr

SIZE	DIMENSION (mm)			
INCH	D	H	L	E
1/2	18	385	85	347
3/4	25	385	85	420
1	32	408	100	420
1 1/2	45	508	115	426
2	57	598	160	590



## Ball valve-SW-CDQ65F

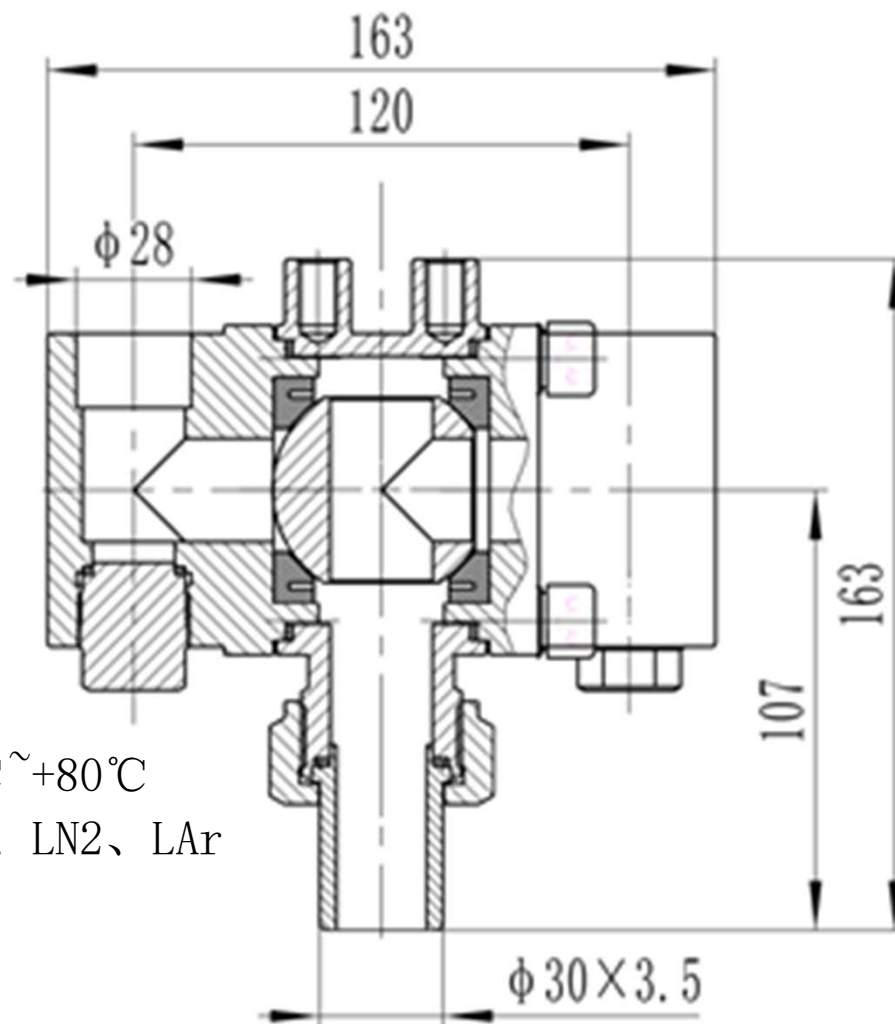


四川良川机械设备有限公司

SI CHUAN LIANGCHUAN MECHANICAL EQUIPMRNT CO.,LTD



Body: CF8 CF3  
Bonnet:SS304/316  
Stem:SS304/316  
Packing: PTFE  
Disc Seal: PCTFE  
Nominal diameter: DN25mm  
Nominal pressure: PN4.0Mpa  
Suitable temperature: $-196^{\circ}\text{C}\sim+80^{\circ}\text{C}$   
Applicable medium:LNG、L02、LN2、LAr



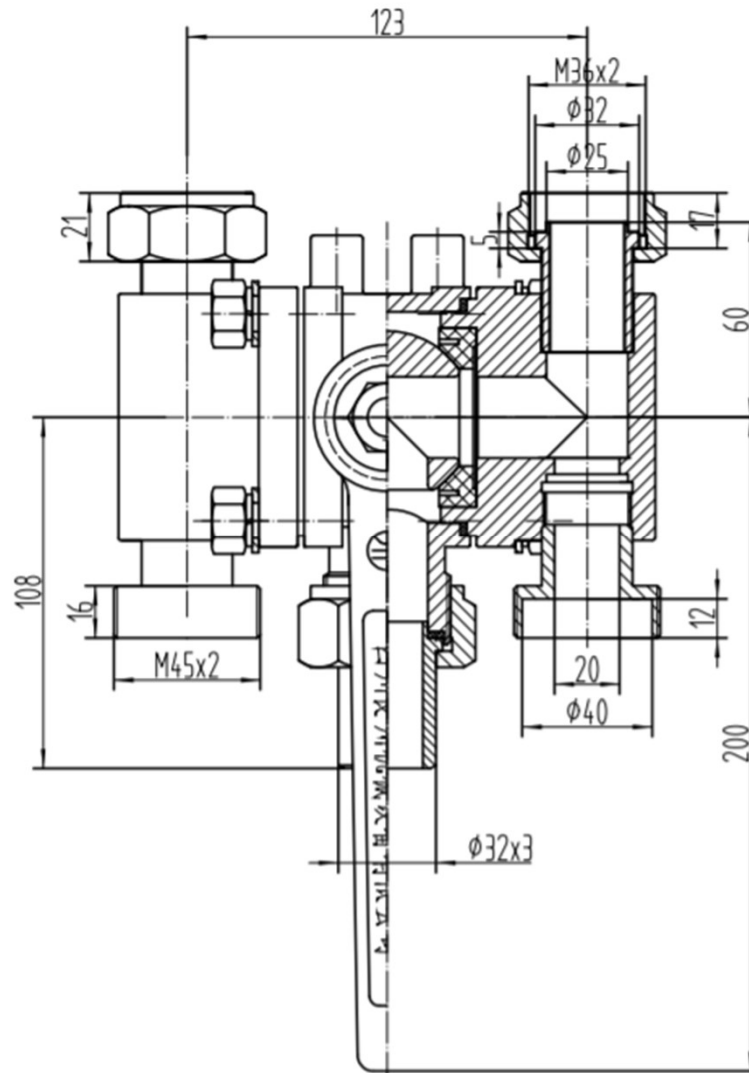


## Ball valve-SW-CDQ65F



四川良川机械设备有限公司

SI CHUAN LIANGCHUAN MECHANICAL EQUIPMRNT CO.,LTD



Body: CF8 CF3

Bonnet: SS304/316

Stem: SS304/316

Packing: PTFE

Disc Seal: PCTFE

Nominal diameter: DN25mm

Nominal pressure: PN4.0Mpa

Suitable temperature:  $-196^{\circ}\text{C} \sim +80^{\circ}\text{C}$

Applicable medium: LNG、LO<sub>2</sub>、LN<sub>2</sub>、LAr

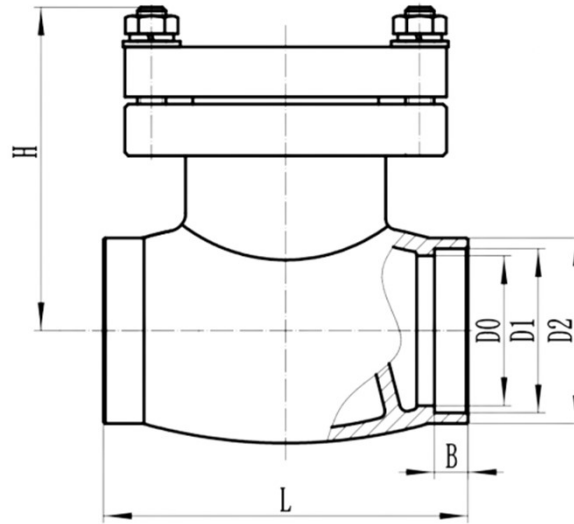


Check valve-SW Type-CDH61F



四川良川机械设备有限公司

SI CHUAN LIANGCHUAN MECHANICAL EQUIPMRNT CO.,LTD



Body: CF8 CF3  
 Bonnet:SS304/316  
 Stem:SS304/316  
 Packing: PTFE  
 Disc Seal: PCTFE  
 Nominal diameter: DN10-80mm  
 Nominal pressure: PN1.6-6.4Mpa  
 Suitable temperature:-196°C~+80°C  
 Applicable medium:LNG、LO2、LN2、LAr

产品代号	尺寸						
	DN	H	L	B	D0	D1	D2
C325DH10	10	64	61	6	12	15	22
C325DH15	15	64	61	6	15	19	26
C325DH20	20	76	81	6	23	26	34
C325DH25	25	76	81	6	26	33	39
C325DH32	32	94	102	9	35	39	46
C325DH40	40	94	102	10	42	46	52
C325DH50	50	105	127	10	54	58	66
C325DH65	65	112	150	10	68	77	85
C325DH80	80	139	182	10	84	89	100



## Check valve-Flange Type-CDH41F



四川良川机械设备有限公司

SI CHUAN LIANGCHUAN MECHANICAL EQUIPMRNT CO.,LTD

Body: CF8 CF3

Bonnet:SS304/316

Stem:SS304/316

Packing: PTFE

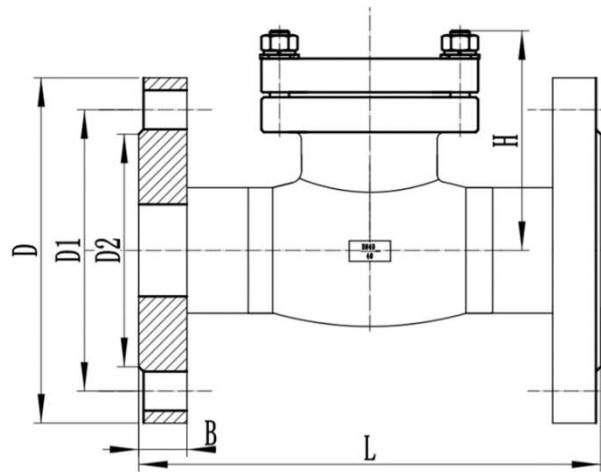
Disc Seal: PCTFE

Nominal diameter: DN10-80mm

Nominal pressure: PN1.6-6.4Mpa

Suitable temperature: -196°C~+80°C

Applicable medium:LNG、LO2、LN2、LAr



产品代号	尺寸						
	DN	H	L	B	z-φd	D	D1
C325DH15	15	64	130	14	4-14	95	65
C325DH20	20	76	150	14	4-14	105	75
C325DH25	25	76	160	14	4-14	115	85
C325DH32	32	94	180	16	4-18	135	100
C325DH40	40	94	200	16	4-18	145	110
C325DH50	50	105	230	16	4-18	160	125
C325DH65	65	112	290	18	8-18	180	145
C325DH80	80	139	310	20	8-18	195	160



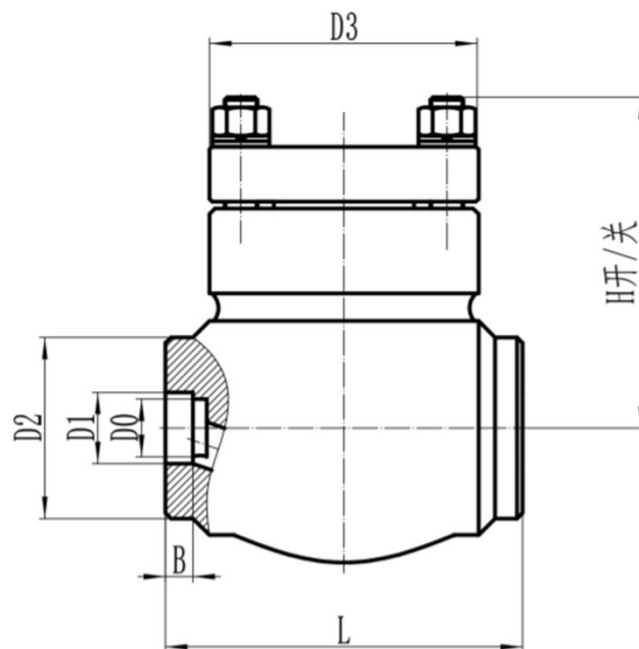


## Check valve-High pressure Type-CDH61F



四川良川机械设备有限公司

SI CHUAN LIANGCHUAN MECHANICAL EQUIPMRNT CO.,LTD



Body: CF8 CF3

Bonnet:SS304/316

Stem:SS304/316

Packing: PTFE

Disc Seal: PCTFE

Nominal diameter: DN10-100mm

Nominal pressure: 32.0Mpa

Suitable temperature: -196℃~+80℃

Applicable medium:LNG、LO2、LN2、LAr

产品代号	尺寸							
	DN	H	L	B	D0	D1	D2	D3
C325DH10	10	90	114	10	13	18	42	85
C325DH15	15	90	114	10	17	22	42	85
C325DH20	20	118	130	10	21	26	66	98
C325DH25	25	118	130	10	28	33	66	98

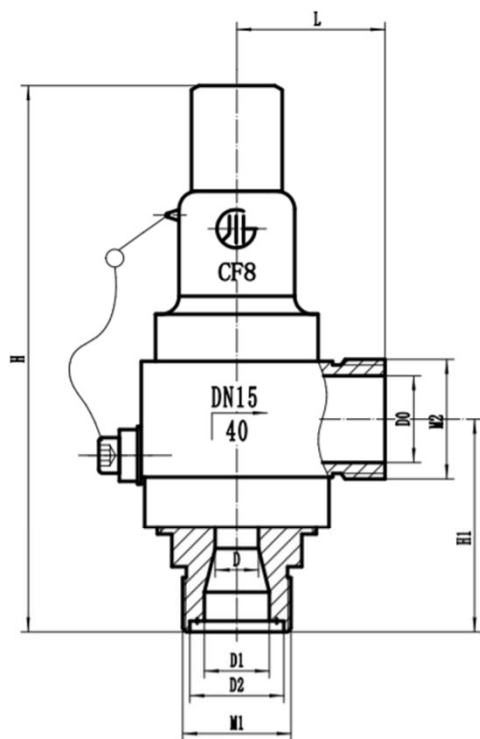


Safety valve-CDA22Y



四川良川机械设备有限公司

SI CHUAN LIANGCHUAN MECHANICAL EQUIPMRNT CO.,LTD



Body: CF8 CF3

Bonnet:SS304/316

Stem:SS304/316

Packing: PTFE

Disc Seal: PCTFE

Nominal diameter: DN10-25mm

Nominal pressure: PN1.6-4.0Mpa

Set Pressure: 0.5MPa~3.0MPa

Suitable temperature:-196℃~+80℃

Applicable medium:LNG、LO2、LN2、LAr

产品代号	尺寸								
	H	H1	L	M1	M2	D	D0	D1	D2
C158DK15	150	59	41	M30×1.5	M33×1.5	12	24	18	26
C158DK20	200	72	49	M45×2	M36×2	15	34	25	30
C158DK25	200	72	49	M45×2	M36×2	15	34	25	30

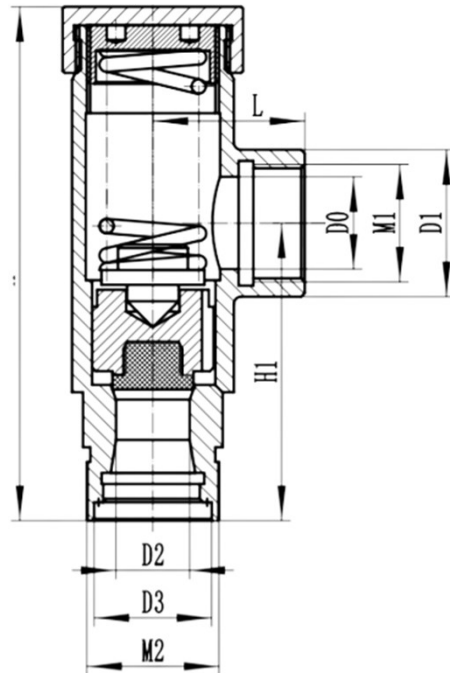


Safety valve-CDA21F



四川良川机械设备有限公司

SI CHUAN LIANGCHUAN MECHANICAL EQUIPMRNT CO.,LTD



Body: CF8 CF3

Bonnet:SS304/316

Stem:SS304/316

Packing: PTFE

Disc Seal: PCTFE

Nominal diameter: DN10-25mm

Nominal pressure: PN4.0Mpa

Set Pressure: 0.5MPa~3.0MPa

Suitable temperature:-196℃~+80℃

Applicable medium:LNG、LO2、LN2、LAr

产品代号	尺寸								
	H	H1	L	M1	M2	D0	D1	D2	D3
C7K10	92	56	26	M16×1	M16×1	10	20	10	-
C7K15	111	61	38	M27×1.5	M30×2	20	34	12	26
C7K25	140	80	41	M33×2	M36×2	25	40	20	32



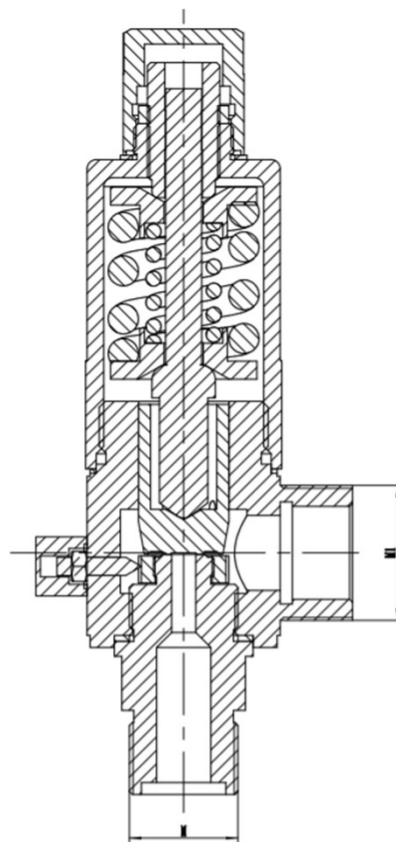
## Safety valve-High pressure



四川良川机械设备有限公司

CNLN

SI CHUAN LIANGCHUAN MECHANICAL EQUIPMRNT CO.,LTD



Body: CF8 CF3

Bonnet:SS304/316

Stem:SS304/316

Packing: PTFE

Disc Seal: PCTFE

Nominal diameter: DN15

Nominal pressure: PN32.0Mpa

Suitable temperature:  $-196^{\circ}\text{C} \sim +80^{\circ}\text{C}$

Applicable medium:LNG、LO2、LN2、LAr

M1	39x2
M	36x2

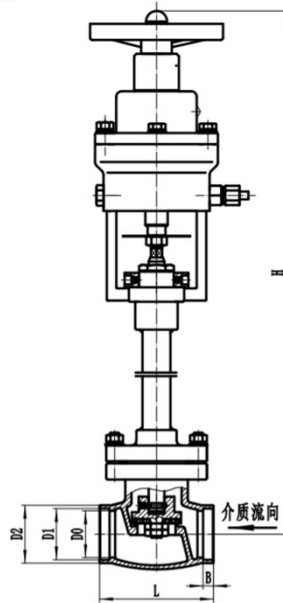


## Emergency shut-off valve-CDQ661F



四川良川机械设备有限公司

SI CHUAN LIANGCHUAN MECHANICAL EQUIPMRNT CO.,LTD



Body: CF8 CF3

Bonnet:SS304/316

Stem:SS304/316

Packing: PTFE

Disc Seal: PCTFE

Connector cylinder head:LZ101

Gas pressure: 0.3-0.6MPa

Emergency cut-off temperature:+70(±5℃)

Nominal diameter: DN10-150mm

Nominal pressure: PN1.6-6.4Mpa

Suitable temperature:-196℃~+80℃

Applicable medium:LNG、LO2、LN2、LAr

产品代号	尺寸						
	DN	H	L	B	D0	D1	D2
C206DA10	10	392	61	6	12	15	22
C206DA15	15	392	61	6	15	19	26
C206DA20	20	448	81	6	23	26	34
C206DA25	25	448	81	6	26	33	39
C206DA32	32	505	102	9	35	39	46
C206DA40	40	505	102	10	42	46	52
C206DA50	50	538	127	10	54	58	66
C206DA65	65	548	150	10	68	77	85
C206DA80	80	638	182	10	84	89	100
C206DA100	100	685	200	15	104	109	121
C206DA150	150	758	405	15	151	160	195

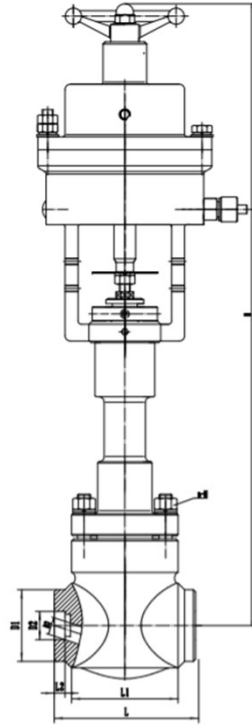


## Emergency shut-off valve-High pressure



四川良川机械设备有限公司

SI CHUAN LIANGCHUAN MECHANICAL EQUIPMRNT CO.,LTD



Body: CF8 CF3  
 Bonnet:SS304/316  
 Stem:SS304/316  
 Packing: PTFE  
 Disc Seal: PCTFE  
 Connector cylinder head:LZ101  
 Gas pressure: 0.3-0.6MPa  
 Emergency cut-off temperature:+70(±5℃)  
 Nominal diameter: DN10-25mm  
 Nominal pressure: PN1.6-6.4Mpa  
 Suitable temperature:-196℃~+80℃  
 Applicable medium:LNG、LO2、LN2、LAr

产品代号	尺寸 (mm)								
	DN	H	D1	D2	D3	L	L1	L2	n-M
C208DA10	10	550	58	18.5	10	114	94	10	6-M12
C208DA15	15	550	58	18.5	12	114	94	10	6-M12
C208DA20	20	577	66	26	16	130	98	10	6-M12
C208DA25	25	577	66	33	16	130	98	10	6-M12

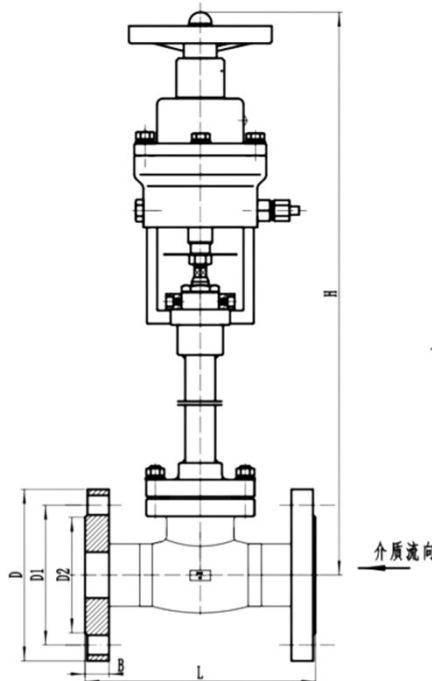


## Emergency shut-off valve-Flange type



四川良川机械设备有限公司

SI CHUAN LIANGCHUAN MECHANICAL EQUIPMRNT CO.,LTD



Body: CF8 CF3  
 Bonnet: SS304/316  
 Stem: SS304/316  
 Packing: PTFE  
 Disc Seal: PCTFE  
 Connector cylinder head: LZ101  
 Gas pressure: 0.3-0.6MPa  
 Emergency cut-off temperature: +70(±5°C)  
 Nominal diameter: DN10-150mm  
 Nominal pressure: PN1.6-6.4Mpa  
 Suitable temperature: -196°C~+80°C  
 Applicable medium: LNG、LO2、LN2、LAr

产品代号	尺寸							
	DN	H	L	B	z-φd	D	D1	D2
C206DA15	15	392	130	14	4-14	95	65	45
C206DA20	20	448	150	14	4-14	105	75	55
C206DA25	25	448	160	14	4-14	115	85	65
C206DA32	32	505	180	16	4-18	135	100	78
C206DA40	40	505	200	16	4-18	145	110	85
C206DA50	50	538	250	16	4-18	160	125	100
C206DA65	65	548	265	18	8-18	180	145	120
C206DA80	80	638	280	20	8-18	195	160	135
C206DA100	100	685	300	20	8-18	215	180	155
C206DA150	150	758	350	24	8-23	280	240	210

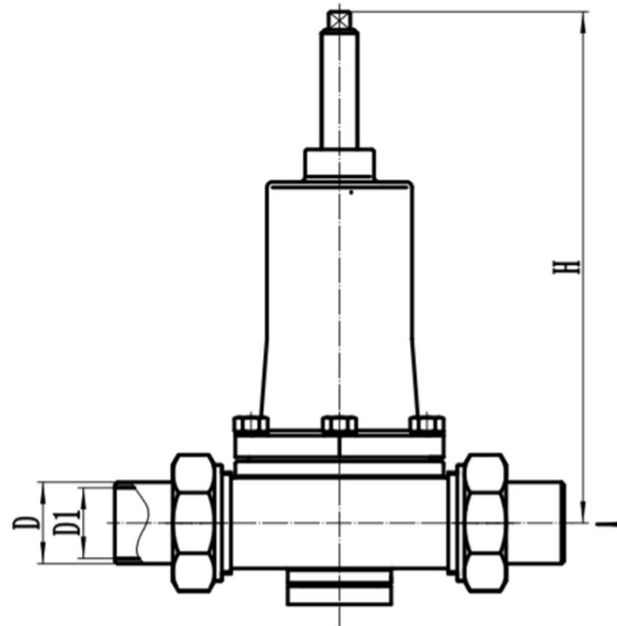


Boost pressure control valve-CDY22F-25PS



四川良川机械设备有限公司

SI CHUAN LIANGCHUAN MECHANICAL EQUIPMRNT CO.,LTD



Body: CF8 CF3  
 Bonnet:SS304/316  
 Stem:SS304/316  
 Packing: PTFE  
 Disc Seal: PCTFE  
 Nominal diameter: DN20-50mm  
 Nominal pressure: PN2.5Mpa  
 Suitable temperature:-196°C~+80°C  
 Applicable medium:LNG、LO2、LN2、Lar  
 Regulation Range:  
 Post-valve outlet pressure 1 : 0.2~1.0MPa  
 Post-valve outlet pressure 2 : 0.8~1.6MPa

产品代号	尺寸 (mm)			
	H	L	D0	D1
C271DE20	270	220	32	26
C271DE25	270	220	32	26
C271DE32	280	235	45	39
C271DE40	280	235	45	39
C271DE50	290	265	60	50



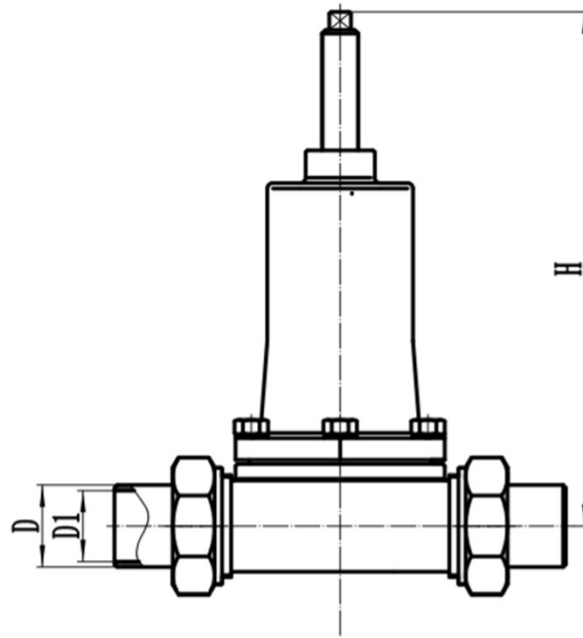


Pressure reducing control valve-CDY22F



四川良川机械设备有限公司

SI CHUAN LIANGCHUAN MECHANICAL EQUIPMRNT CO.,LTD



Body: CF8 CF3  
 Bonnet:SS304/316  
 Stem:SS304/316  
 Packing: PTFE  
 Disc Seal: PCTFE  
 Nominal diameter: DN20-50mm  
 Nominal pressure: PN2.5Mpa  
 Suitable temperature:-196℃~+80℃  
 Applicable medium:LNG、L02、LN2、Lar  
 Regulation Range:  
 Post-valve outlet pressure 1 : 0.2~1.0MPa  
 Post-valve outlet pressure 2 : 0.8~1.6MPa

产品代号	尺寸 (mm)			
	H	L	D0	D1
C281DE20	270	220	32	26
C281DE25	270	220	32	26
C281DE32	280	235	45	39
C281DE40	280	235	45	39
C281DE50	290	265	60	50

ООО «ТИ-СИСТЕМС» ИНЖИНИРИНГ И ПОСТАВКА ТЕХНОЛОГИЧЕСКОГО ОБОРУДОВАНИЯ  
Интернет: [www.tisys.ru](http://www.tisys.ru) [www.tisys.kz](http://www.tisys.kz) [www.tisys.by](http://www.tisys.by) [www.tesec.ru](http://www.tesec.ru) [www.ти-системс.рф](http://www.ти-системс.рф)  
Телефоны: +7 (495) 7774788, 7489626, (925) 5007155, 54, 65  
Эл. почта: [info@tisys.ru](mailto:info@tisys.ru) [info@tisys.kz](mailto:info@tisys.kz) [info@tisys.by](mailto:info@tisys.by)



四川良川机械设备有限公司

SI CHUAN LIANGCHUAN MECHANICAL EQUIPMRNT CO.,LTD

**OUR  
SERVICE**





## Production & Process



四川良川机械设备有限公司

SI CHUAN LIANGCHUAN MECHANICAL EQUIPMRNT CO.,LTD



1. Casting



2. Processing



3. Assemble



6. Inspection



5. Spray paint



4. Test



## Performance Test & Stability

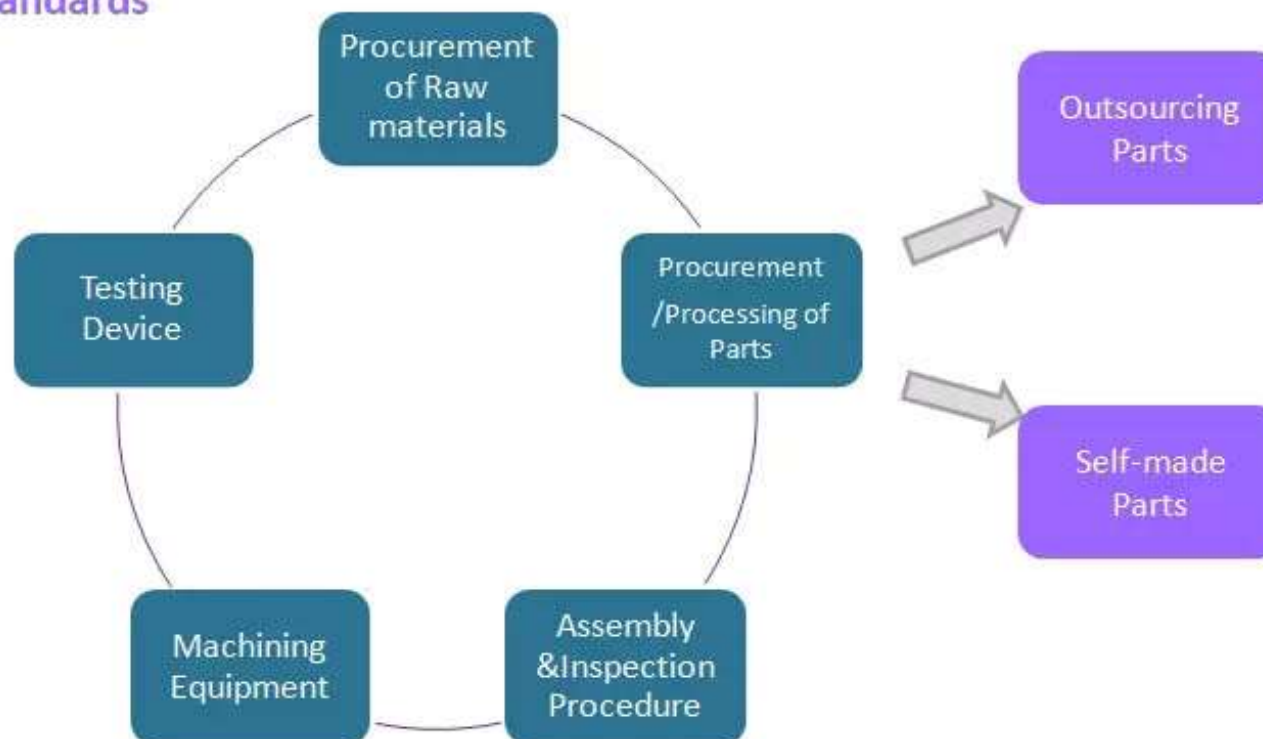


四川良川机械设备有限公司

SI CHUAN LIANGCHUAN MECHANICAL EQUIPMRNT CO.,LTD

✓ Certified by the third party and in accordance with the requirements of international and national Standards

✓ We test every valve strictly.





## Cryogenic Test



四川良川机械设备有限公司

SI CHUAN LIANGCHUAN MECHANICAL EQUIPMRNT CO.,LTD





## Packaging & Shipping



四川良川机械设备有限公司

SI CHUAN LIANGCHUAN MECHANICAL EQUIPMRNT CO.,LTD





## Our Service



四川良川机械设备有限公司

SI CHUAN LIANGCHUAN MECHANICAL EQUIPMRNT CO.,LTD



### SAMPLE

Sample can be provided for quality examination.



### PACKAGE

Your logo can be put on the product and package.



### CUSTOMIZED

We provide customized service product base on you requirement



### FOLLOW-UP

We take care of your oder keep you updated no process



### SMALL ODER

Small oder is welcome in our factory.



### FACTORY TOUR

You are welcome to visit our factory at any time.



## Advantages & Service



四川良川机械设备有限公司

SI CHUAN LIANGCHUAN MECHANICAL EQUIPMRNT CO.,LTD

### 01 Company Advantages

THE COMPANY HAS A PROFESSIONAL SALES

Our company has R & D department, production department, sales department and after-sales department, which is responsible for the corresponding links.



### 04 Service Process

THE COMPANY HAS A PROFESSIONAL SALES

Perfect process  
Perfect after-sales service  
Quality assured



### 02 Customer First

THE COMPANY HAS A PROFESSIONAL SALES

Our company has a professional sales, technology and after-sales team.

### 05 After-sales Service

THE COMPANY HAS A PROFESSIONAL SALES

Professional after-sales support department, perfect service, after-sales system to make customers frtrust more

### 03 Product Advantages

THE COMPANY HAS A PROFESSIONAL SALES

Good Quality!  
Create a safe and secure product,  
perfect service for you !  
Solve problems in time!

